



WINDSOR Fire Rated Digital Bluetooth Lock

Suitable for residential and semi-commercial applications including fire doors and emergency exits.



mcgrathlocks.com.au



Designed to make access easier.

The WINDSOR by McGrath Locks is a sleek and stylish lock designed for the Australian market. A great addition to the home, office or business, this 4 in 1 digital door lock provides a versatile and convenient method of entry that allows you to easily manage who has access to your property.

Utilising the powerful TLock APP, lock and user settings are easily configured and managed. Access can be provided to family and visitors alike through pin code, RFID credential, eKeys managed via BLE and mechanical key override. By adding a McGrath Locks WIFI gateway you can remotely unlock the WINDSOR from anywhere in the world using the TLock APP.

The WINDSOR is supplied without latch or lock, the choice is yours depending on the application. It suits the most common Australian mortice locks and the McGrath tubular latches. The lock has achieved a 2 hour fire rating on the Firecore and E-Core doors when used with the dormakaba MS2602 mortice lock or Lockwood 530 style tubular latch.



Bluetooth



Pin Code Unlock



RFID Unlock



Key Override



WIFI (via gateway)

Features



25mm



184mm

76.3mm



Works with the TTLock APP

Provides the ability to manage all lock settings and users including eKeys, pin code, RFID card/fobs.



Types of access

- Pin code (Permanent, Timed, One-time, Custom, Recurring)
- RFID (Permanent, Timed, Recurring)
- eKeys (Timed, Permanent, One-time, Recurring)



Security features

- Anti peep pin code
- Incorrect attempt lock-out
- Privacy lock (within APP)
- Reset button disable



Battery life

18 months (based on 10 uses per day)



Designed for the Australian market



Fire rated

Fire rated for 2 hours on Firecore and E-Core doors.



Compatible with Australian standard mortice Locks

Including dormakaba MS2602 mortice lock.



Water resistant design that keeps your home safe in all kinds of climates

- IP65 on external lock housing
- Tempered glass screen

Technical Specifications

Hardware

Colour	Matt black or satin nickel
Type	Timber door, aluminium door
Door thickness	35mm-54mm
Durability test	200,000 cycles
Material	Aluminium alloy, glass screen
Spindle size	8mm
Lock case dimensions	184mm (H) x 76.3mm (W) x 25mm (D)

Enrolment and Verification

Unlocking method	Pin code, RFID credential, Bluetooth, WIFI (Gateway required)
Support system	Android - 4.3 /IOS 7.0 and above
Platforms	TTLock, TTRenting, TTHotel
Communication mode	Bluetooth 5.0 BLE and above

Lock Features and Functions

Length of password	4-9 Digits (Minimum of 4 digits available when set via APP)
Passage mode	Yes
Bluetooth capacity (eKeys)	Unlimited
Pin code capacity	250 codes (Some exceptions may apply)
RFID capacity	1000 (Some exceptions may apply)
Emergency opening	Mechanical key override, USB-C (Power bank)
Batteries	4 x AA Alkaline batteries (Not included)
Stand-by power consumption	<30mA
Lock type	Tubular latch or mortice lock
Unlock time	1.5s
Motor working current	Less than 200mA
Card working frequency	13.56MHz
Battery life	18 months (Based on 10 uses per day)
Battery voltage	4.5V-8V
Low battery warning voltage	Lower than 4.6V

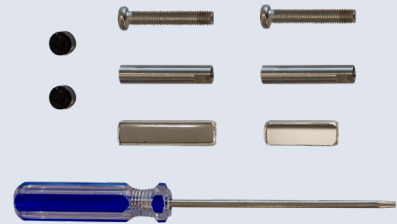
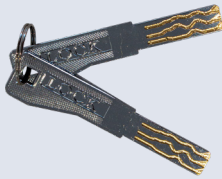
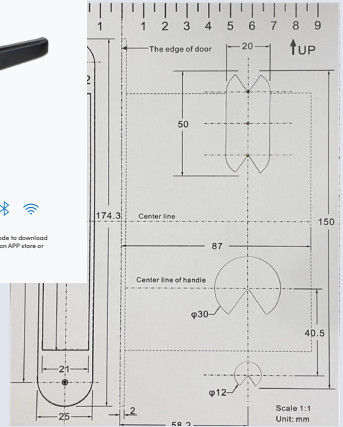
Operating Environment

Environment	-30°C to 60°C
Humidity	10%-97% RH
IP Class	IP65 on external lock housing
Fire Rated	2 hour Firecore & E-Core compliance with dormakaba MS2602 mortice and Lockwood 530 tubular latch

Warranty

24 months

What's in the box





Advanced security for your
home with a selection of
easy access options.

McGrath Locks
Australia
mcgrathlocks.com.au



SCAN TO DOWNLOAD THE APP